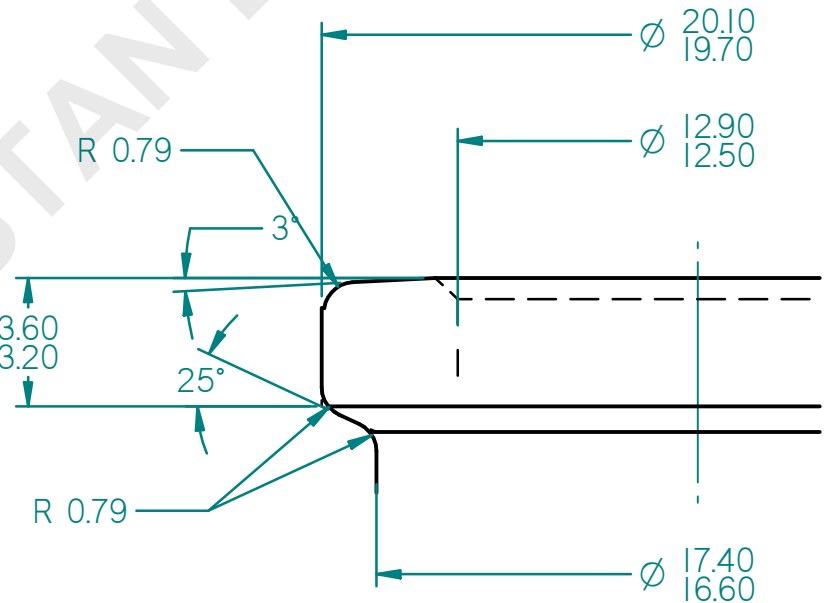
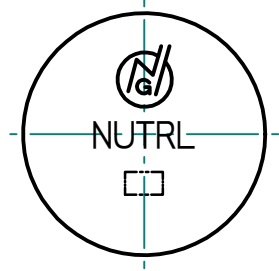
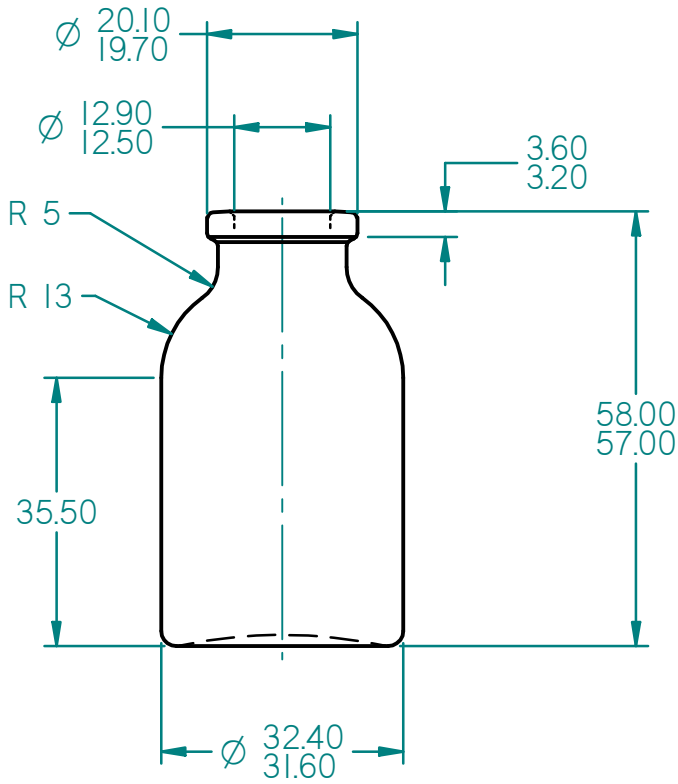


**RELEASE**


DATE:

COMPANY:



FINISH : 20 mm STD.

Protective note ISO 16016 observed

<b>GENERAL TOLERANCES</b> <b>DIN 6129-1</b> (DIMENSIONS WITHOUT TOLERANCES ARE FOR REFERENCE ONLY)				FINISH: 20 mm STD.		O'FLOW CAPACITY: 25.00 - 28.50 ml		ARTICLE NO.:		
				FINISH DWG: NA		WEIGHT: 27 g Approx.		5152020100		
				FINISH MOLD NO: 910		TYPE OF GLASS: I COLOUR: FLINT				
				DATE	NAME	<b>TITLE:</b> <h2 style="text-align: center;">20 ml NATIONAL</h2>				
				DRAWN	13.10.2013					dipak
				CHECKED	13.10.2013					H.B.P.
				SCALE	1 : 1, 5 : 1					
				 NEUTRAL GLASS & ALLIED INDS. PVT. LTD. MUMBAI / KOSAMBA		MOLD NO.:	DRAWING NO.:	REVISION	SHEET	FORMAT
						036	B 2020	0	1 OF 1	A4
REV.				CHANGE	DATE	NAME	FILE: 20 ml NATIONAL.dft			